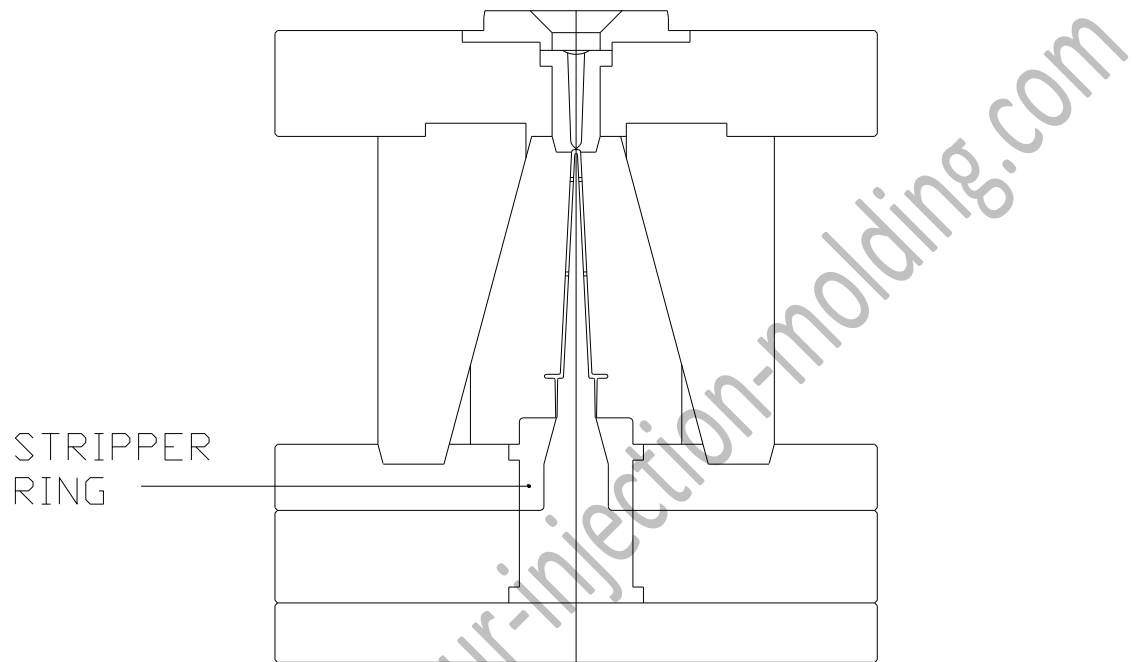


## Improve Your Molding Pty Ltd



Example of mold design with stripper ring for a water saving device

For more design tips go to:

<https://www.improve-your-injection-molding.com/plastic-injection-mold-design.html>